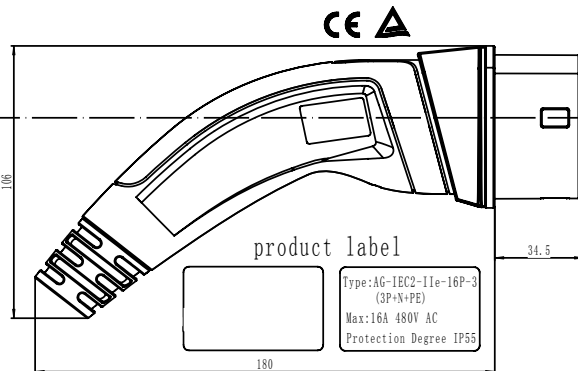
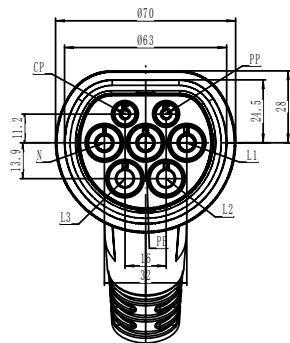


Type2-Type2 16A/480V AC 5m

Ver	ECN	MARK	DESCRIPTION	DATE	APP	CHK

Type II  
2-IIe

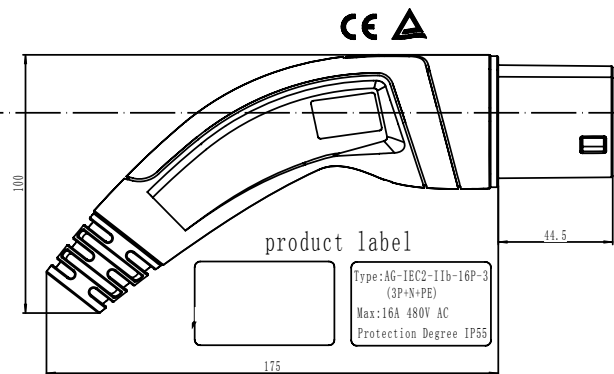
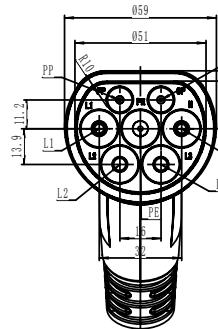


Technical parameters  
 Current and Voltage : 16A 480V AC  
 Signal current : 2A 30V  
 Protection Degree : IP55 (Working status)  
 Ambient temperature: -30° C to +50° C

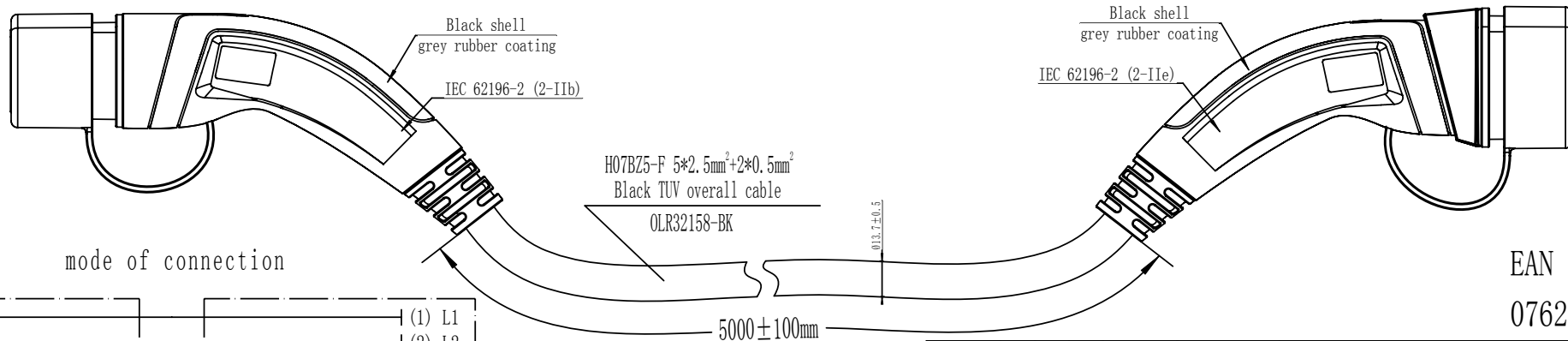
Cable specification

Function	16A 480V AC	Function
L1 (1)	2.5 mm <sup>2</sup> Brown	L1 (1)
L2 (2)	2.5 mm <sup>2</sup> Black	L2 (2)
L3 (3)	2.5 mm <sup>2</sup> Grey	L3 (3)
N (4)	2.5 mm <sup>2</sup> Blue	N (4)
PE (5)	2.5 mm <sup>2</sup> Yellow-green	PE (5)
CP (6)	0.5 mm <sup>2</sup> White	CP (6)
PP (7)		PP (7)

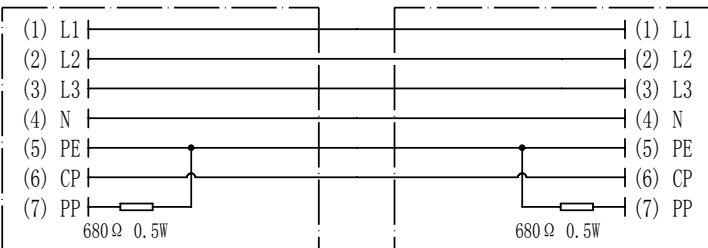
Type II  
2-IIb



16A 3P+N+PE+PP+CP  
 Type II ,was designed according to the standard of  
 IEC 62196-2 sheet 2-IIb/2-IIe  
 The static resistance is 680 ohm  
 Charging cable 5000mm 5\*2.5mm<sup>2</sup>+2\*0.5mm<sup>2</sup> Black TUV overall cable



mode of connection



EAN code:  
0762497185201

DWG. SYM	S A	PROJ. SYM				
MATL	Specifications		WEIGHT	NAME Charging connectors		
DESIGNED	CHECK	STDCHECKED	DRAW NO	SIZE A4	SCALE X:X	
CHECKED	PROCESS	APPROVED	PART NO	SHEET X OF X		